



12V Portable - Foldable Solar Panel Charging Systems

The SOLARLAND SLPF Series of portable solar chargers is the third generation design.

Originally designed for humanitarian efforts in Africa these products are widely used in a wide range of applications including; ...RV, camping, boating, hunting, disaster recovery and military.



- Versatile, rugged design!
- Park in the shade, put the panel in The sun!
- Adjustable angle ranging from 20°-60° for maximum energy absorption
- No need to make holes in the roof of your vehicle
- Simple 'plug 'n play' system
- Compact size, folding easily for storage and transit



Kit is Complete With:



CARRY CASE

for safe transportation and storage is standard with every kit. 40W has a cloth case, the 90W and 120W have an aluminum case.



TELESCOPIC ADJUSTABLE LEGS

are easily adjusted allowing for maximum power generation based on location and time of day.



SMART PWM CONTROLLER

safely regulates battery charging. An LED display clearly indicates the state of charge and a toggle switch allows for Lead-Acid and GEL style battery charging.



BATTERY CLAMP & RING TERMINAL

are provided as standard items.



CARRY HANDLE & LOCKING FASTENERS

Models only allow for easy handling. The fasteners lock the panel shut while in transit. (SLP090F-12S & SLP130F-12S)

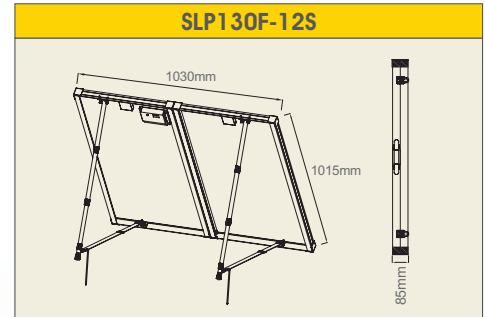
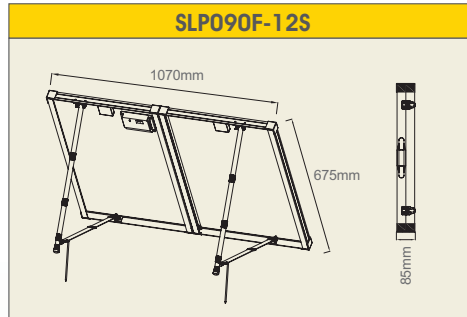


CAR STYLE CIGARETTE CONNECTIONS

are provided as standard items.



SLPF Folding Panel Kits



Technical Specifications

Specifications	SLCK-040-12	SLP090F-12S	SLP130F-12S
Model	SLCK-040-12	SLP090F-12S	SLP130F-12S
Max. Power	40W	90W	130W
Nominal System Voltage	12V	12V	12V
Minimum Charge Start Voltage	8V(Controller will not work with a battery lower than 8V)		
PV Panel	Aluminum/Glass Multi-Crystalline		
NO.Panels	1 pc	2pcs x45W panels in parallel	2pcs x65W panels in parallel
Controller Model	SLC-1203B	SLC-1207	SLC-1210Z
PV Panel Voltage at Max. Power	17.2V	17.2V	17.2V
PV Panel Current at Max. Power	2.32A	5.24A	7.56A
Solar Charge Controller	Remote PWM Solar charge controller	Built in PWM Solar charge controller	
Max. Load Current	3A	7A	10A
In-line Fuse	3A	10A	15A
Operating Temperature	-20°C ~ +50°C		
Accessories Included			
Carry Case	Cloth	Aluminum	Aluminum
16.4' Cable Extension	Included	Included	Included
SLSC-02 Battery Clamp Set	Included	Included	Included
Cigarette Style Connector Kit	Not Included	Included	Included
Packaging	Individually packaged		
Carton Size	740 x 105 x 600mm 29.13in. x 4.13in. x 23.62in.	760 x 190 x 675mm 29.72in. x 7.48in. x 26.57in.	1100 x 190 x 655mm 43.31in. x 7.48in. x 25.79in.
Carton Weight	10.25 / 10.7 lbs	25.4 / 38.6 lbs	33.1 / 49.6 lbs

STC: Irradiance 1000W/m², AM1.5 spectrum, module temperature 25°C