

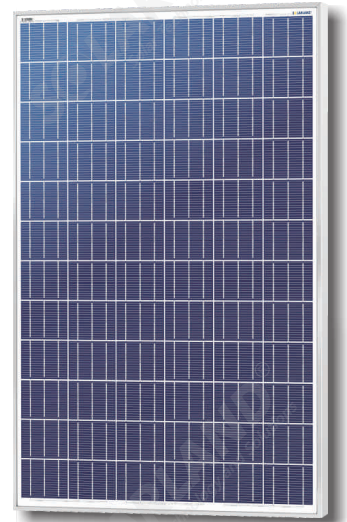
SLP200-24

High Efficiency Multicrystalline PV Module

Electrical Characteristics	SLP200-24
Product code	200012404
Maximum power (Pmax)	200W
Voltage at Pmax (Vmp)	34.4V
Current at Pmax (Imp)	5.81A
Open-circuit voltage (Voc)	43.2V
Short-circuit current (Isc)	6.51A
Temperature coefficient of Voc	-(80±10)mV/°C
Temperature coefficient of Isc	(0.065±0.015)%/°C
Temperature coefficient of power	-(0.5±0.05)%/°C
NOCT (Air 20°C; Sun 0.8kW/m² wind 1m/s)	45±2°C
Operating temperature	-40°C to 85°C
Maximum system voltage	1000V DC
Power tolerance	± 5%

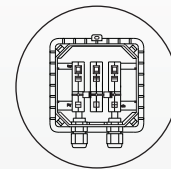
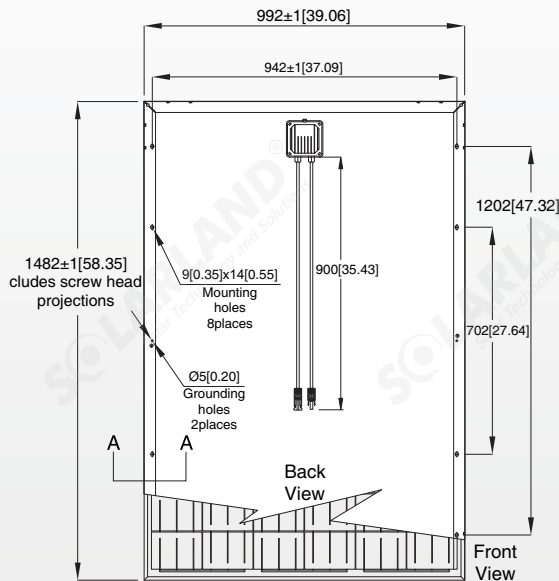
*STC: Irradiance 1000W/m², AM1.5 spectrum, module temperature 25°C

*NOCT: Nominal operating cell temperature (the data is only for reference)

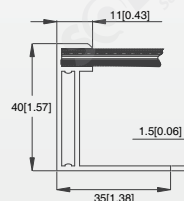


Module Diagram

Dimensions in brackets are in inches.
Un-bracketed dimensions are in millimeters.
Unit: mm[in.]



Junction Box
Top View(Lid Open)

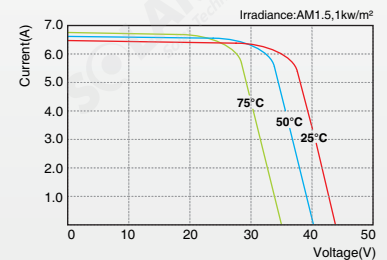


Section A-A

Features

- Nominal 24V DC for standard output.
- Outstanding low-light performance.
- Heavy-duty anodized frames.
- High transparent low-iron, tempered glass.
- Rugged design to withstand high wind pressure, hail and snow load.
- Aesthetic appearance.

Characteristics



SLP200-24 I-V Curves

Specifications

SLP200-24

Cells	Multicrystalline silicon solar cell
No. of cells and connections	72(6X12)
Module dimension	1482mm[58.35in.],x992mm[39.06in.],x40mm[1.57in.]
Weight	20.00kg[44.09lbs]
Packing information(Carton)	1525mm[60.04in.],x1035mm[40.75in.],x115mm[4.53in.](2pcs/ctn)

*Limited warranty: 5-year limited warranty of materials and workmanship; 10-year limited warranty of 90% power output; 25-year limited warranty of 80% power output. For detail, please contact us.

*Specifications are subject to change without notice at any time.