

SLP003-06U

High Efficiency Multicrystalline PV Module

Electrical Characteristics	SLP003-06U
Product code	003010601
Maximum power (Pmax)	3W
Voltage at Pmax (Vmp)	8.60V
Current at Pmax (Imp)	0.35A
Open-circuit voltage (Voc)	10.7V
Short-circuit current (Isc)	0.40A
Temperature coefficient of Voc	-(80±10)mV/°C
Temperature coefficient of Isc	(0.065±0.015)%/°C
Temperature coefficient of power	-(0.5±0.05)%/°C
NOCT (Air 20°C; Sun 0.8kW/m² wind 1m/s)	47±2°C
Operating temperature	-40°C to 85°C
Maximum system voltage	1000V DC
Power tolerance	± 3%

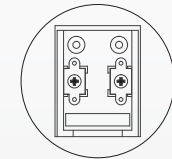
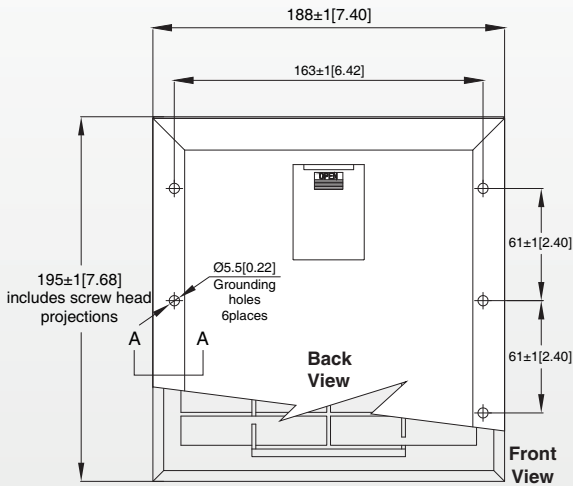
*STC: Irradiance 1000W/m², AM1.5 spectrum, module temperature 25°C

*NOCT: Nominal operating cell temperature (the data is only for reference)

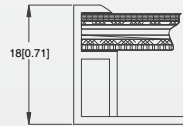


Module Diagram

Dimensions in brackets are in inches.
Un-bracketed dimensions are in millimeters.
Unit: mm[in.]



Junction Box
Top View (Lid Open)

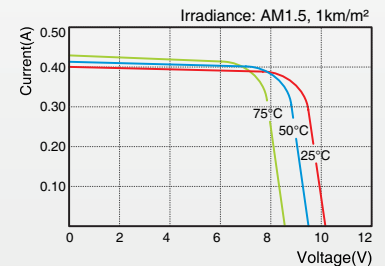


Section A-A

Features

- Nominal 6V DC for standard output.
- Heavy-duty anodized frames.
- High transparent low-iron, tempered glass.
- Rugged design to withstand high wind pressure, hail and snow load.
- Aesthetic appearance.

Characteristics



SLP003-06U I-V Curves

Specifications	SLP003-06U
Cells	Polycrystalline silicon solar cell
No. of cells and connections	18(2X9)
Module dimension	195mm[7.68in.]x188mm[7.40in.]x18mm[0.71in.]
Weight	0.50kg[1.10lbs]
Packing information(Carton)	310mm[12.2in.]x225mm[8.86in.]x225mm[8.86in.]/(10pcs/ctn)

*Limited warranty: 2-year limited warranty of materials and workmanship; 10-year limited warranty of 90% power output; 25-year limited warranty of 80% power output. For detail, please contact us.

*Specifications are subject to change without notice at any time.