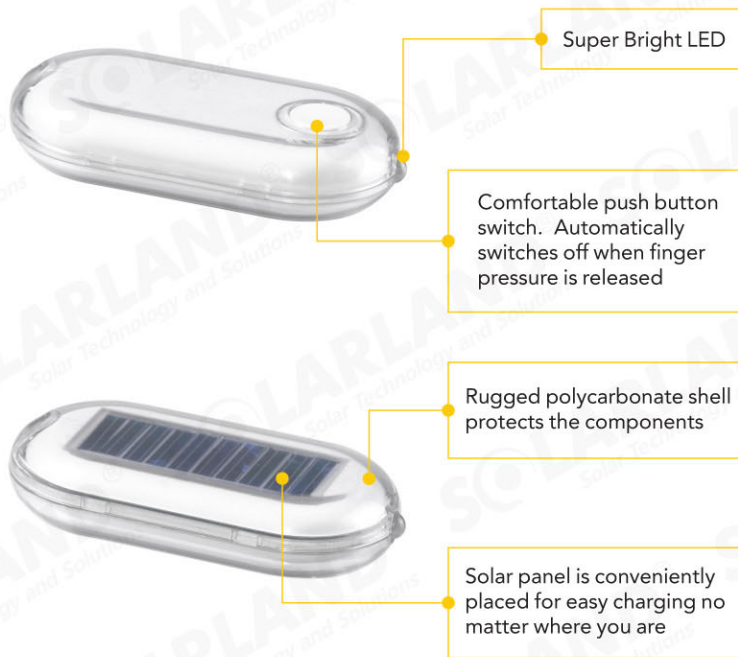


# Solar Flashlight

Model: BSL-R0335P



## Features

- Lightweight, compact design that easily fits in your pocket.
- Attaches to your key ring!
- Great gift for customers and friends!

## Important – Battery Disposal

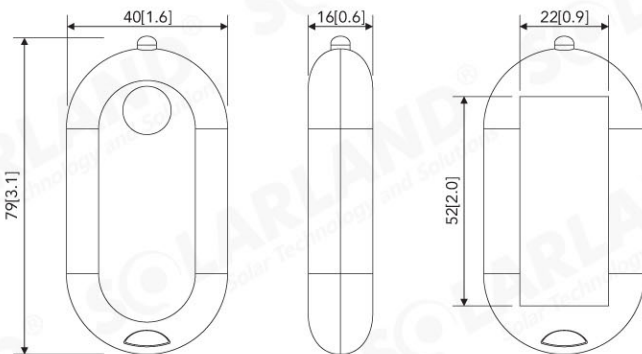
This product contains three rechargeable Ni-MH batteries. When the battery life is exhausted, the battery must be recycled or disposed of properly. For additional information regarding disposal, contact your local county solid waste authority.

## Packing Information:

|                        |                                 |
|------------------------|---------------------------------|
| 1 PC Per Blister Card: | 95x115x20mm (3.7"x4.5"x0.8")    |
| 24 PC Per Carton:      | 255x210x135mm (10.0"x8.3"x5.3") |
| NW:                    | 0.96kg (2.12lbs)                |
| GW:                    | 2.2kg (4.85lbs)                 |
| Pallet Loading:        | 6912 pcs                        |
| Container Loading:     | 41,472 pcs/20' 82,944 pcs/40'   |

## Product Dimensions

Unit: mm[in]



Packaged for Point of Sale

